

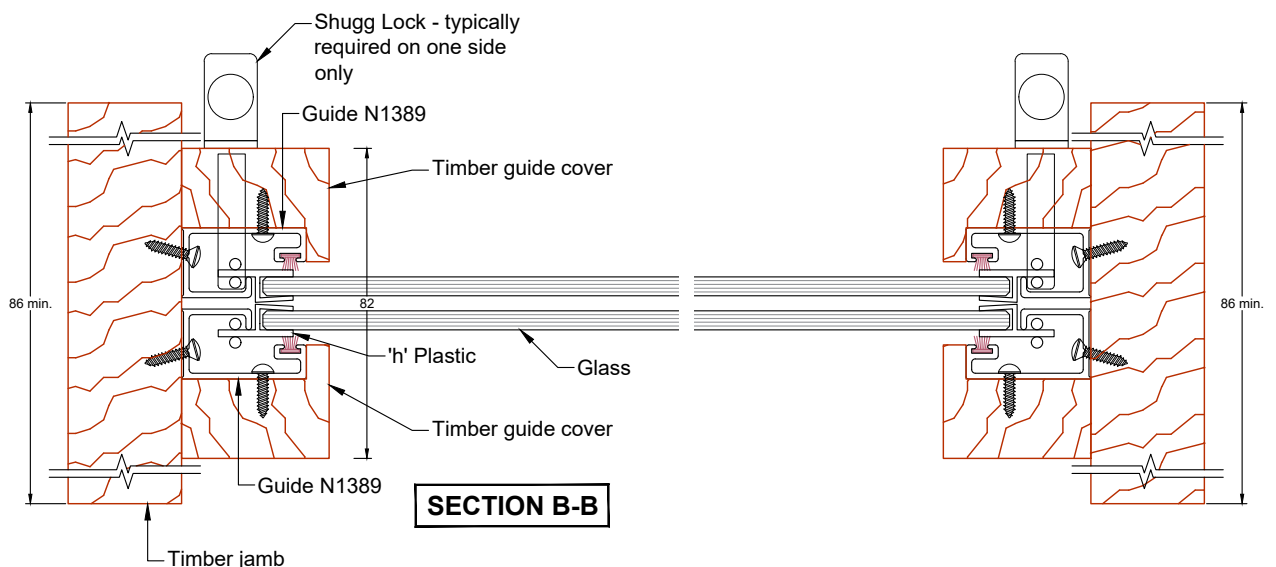
Vertical sliding double hung window Residential 2 pane

Features:

- Sashless panes of glass move within their own plane
- Provides high and low ventilation
- Narrow aluminium profiles hidden inside timber covers
- Can be retrofitted to solve ventilation problems (frames may need to be adapted to suit)
- Removable midseal closes off winter draughts
- Lock open position provides secure ventilation
- Acrylic lifting handle may be positioned at the bottom or top of the bottom sliding pane (shown at top)
- Available with or without a Base Pane

Specifications:

- Curved and/or raking heads available
- Frame height from 600mm
- Frame width from 370mm
- Annealed, laminated, toughened or Low E glass available as standard
- Most powder coated and anodised aluminium finishes available as standard



Neotechnical Industries Ltd 9 McDonald St, Sandringham, Auckland. Phone: 09 815 0481 Email: info@shugg.co.nz www.shugg.co.nz	Frame Type	Timber for Shugg	Drawing name	DH102 TFC13 ^{Scale}	1:2
	Section	A:A & B:B	Date drawn	11-08-21 ^{Revision}	001
	Notes	-	Window style	Double Hung	
	Notes	-	Window format	Residential	
	Notes	-	Glazing	Single ^{Thickness}	5mm

Details subject to change without notice. Exterior frames by others, Neotechnical Industries Ltd does not own the rights to exterior frames shown and are indicative only. All other details © Neotechnical Industries Ltd, not to be reproduced, altered or distributed in any form without permission.